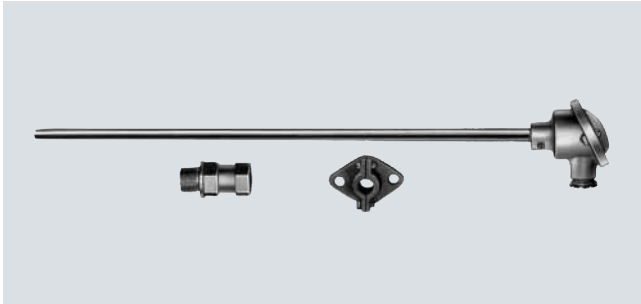


# SITRANS T measuring instruments for temperature

## Resistance thermometers

### Flue gas resistance thermometers with connection head

#### Overview



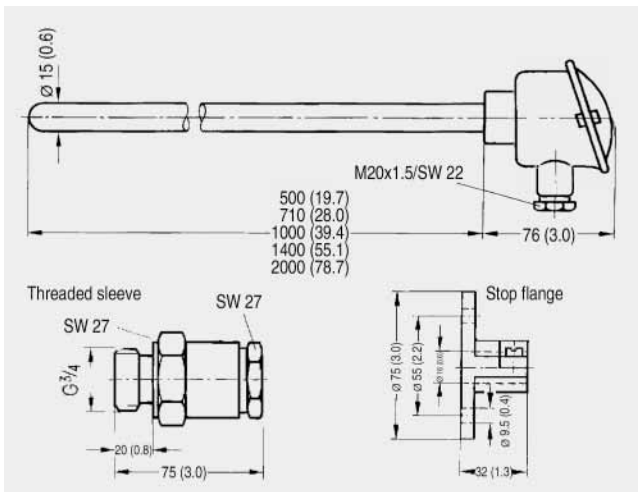
The flue gas resistance thermometer with connection head is suitable for the temperature range from -50 to +600 °C (-58 to +1112 °F) and can also be supplied with a built-in temperature transmitter.

Please order mounting flange or threaded sleeve separately.

#### Technical specifications

Design	According to DIN 43764: Thermometer without mount
Protective tube	
• Form	1, DIN 43772; cylindrical, 15 mm diameter (0.59 inch), wall thickness 3 mm (0.12 inch), seamless
• Material	St 35.8, mat. No. 1.0305, enamelled
• Loading capacity	1 bar (14.5 psi) above atmospheric, to DIN 43772
Measuring insert	Replaceable, with measuring insert tube (8 mm diameter (0.31 inch)) made of stainless steel; terminal block with clamping springs

#### Dimensional drawings



Flue gas resistance thermometer with connection head, dimensions in mm (inches)

#### Selection and Ordering data

Order No.

#### Flue gas resistance thermometer

Measuring resistor (winding) embedded in ceramic  
1 Pt100 measuring resistor,  
three-wire circuit

Mounting length/ mm (inch):	Weight/ kg (lb):
• 500 (19.7)	0.9 (1.98)
• 710 (28.0)	1.1 (2.43)
• 1000 (39.4)	1.5 (3.31)
• 1400 (55.1)	1.9 (4.19)
• 2000 (78.7)	2.7 (5.95)

7MC1000 - 1BA2
7MC1000 - 2BA2
7MC1000 - 3BA2
7MC1000 - 4BA2
7MC1000 - 5BA2

#### Connection head, form B,

made of cast light alloy,  
with 1 cable inlet and

- screw cover
- standard hinged cover
- high hinged cover

1  
4  
6

#### Further designs

Please add "**Z**" to Order No. and specify  
Order code(s) and plain text.

Order code

- Different design (mounting length, protective tube material etc.), specify in plain text. **Y01**
- TAG plate made of stainless steel specify TAG No. in plain text **Y15**
- Calibration carried out at one point, specify desired temperature in plain text (order equivalent number of times for several calibration points). **Y33**

#### Accessories

Order No.

#### Mounting flange

Adjustable, to DIN 43734;  
Material: GTW 35, mat. No. 0.8035,  
for protective tube diameter  
15 mm (0.59 inch),  
0.3 kg (0.66 lb)

7MC2998 - 5CA

#### Gas-tight threaded sleeve

Material: 9 SMnPb 28  
Material No. 1.0718,  
for protective tube diameter  
15 mm (0.59 inch),  
0.4 kg (0.88 lb)

- G $\frac{3}{4}$  internal thread with gasket
- G $\frac{1}{2}$  internal thread with gasket

7MC2998 - 5DA  
7MC2998 - 5DC

**To order a temperature transmitter installed in the connection head, see "Temperature transmitters for installation in the connection head" (page 3/75).**

Individual parts: Measuring inserts, see "Accessories".